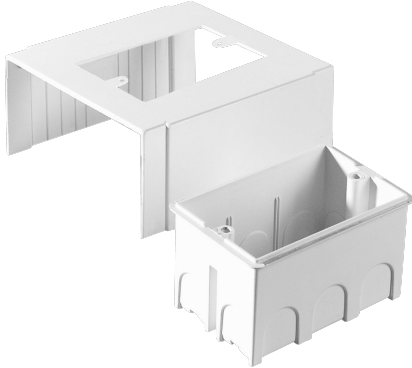


ECKIT100B



**ADAPTOR BOX SCREW SPACE 83,5
DIM. 100X60**



Trunkings > Wall and ceiling > Solid cable trunkings > Series cp
- fittings > Recessed box for cable trunking modular devices

Technical Symbols/Marks/Approvals

IP40	GWT 650°	CE	RoHS II		MADE IN ITALY
------	-------------	----	---------	--	---------------------

Norms

EN 50085-1 EN50085-2-1

Description

Kit for installing up to 3 devices with 83.5 mm center distance. For 100x60 mm ducts.

Etim

GROUP EG000006 - Installation ducts for wall and ceiling

CLASS EC000073 - Junction box for wall duct

Number of units	3	Material	Plastic	Halogen free	Yes
Model	Open	Mounting method box	Front	Type of device	Other
Mounting track	83.5 mm	Mounting method installation unit	Screwing	Strain relief possibility	Yes
With connection space	Yes				

Technical Characteristics

dimensions 100 x 60 mm

Documentation available for download

Certification
Canali CPH
IMQ_CA02.06517_
2020.pdf

Certification
Canali e Minic Serie
MC-CP.pdf

Barcode



8032636768025

Unit

1 NR

0.15 [kg]



8059606150567

Cardboard

10 NR

0.295x0.39x0.15 [m]

1.5 [kg]